



"DUAL AXIS" ARCA COMPATIBLE 3-WAY PAN HEAD

The **VEO PH-36S** and **VEO PH-38S** are Arca compatible 3-way pan heads that are perfect for any photographer on the go. This lightweight, compact and CNC machined pan and tilt head has a load capacity of up to 10kg, and features an innovative rotating top handle that makes them perfect for any left or right handed photographer to select the most comfortable position for their shot, use with either a long lens or L-bracket, or just to make it easier to fold away.

Key Features:

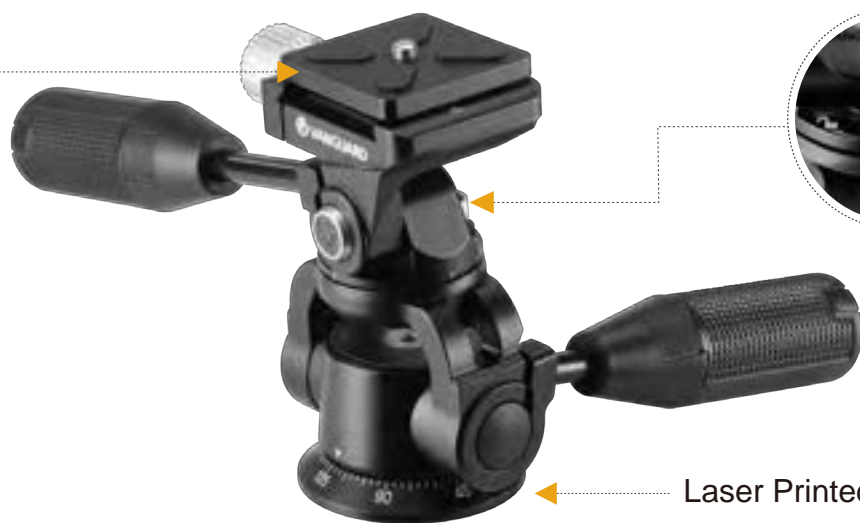
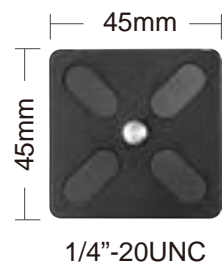
- 1 Unique rotating top handle
- 2 Up to 10kg load capacity
- 3 Push button telescopic handles
- 4 4-direction Arca compatible quick release plate



MODEL	Length [inches mm]	Width [inches mm]	Height [inches mm]	Head Base [inches mm]	Quick Shoe	Frontal Tilt °	Lateral Tilt °	Swivel °	MAX LOAD [LBS KG]	WEIGHT [LBS KG]
VEO PH-36S	8.1 205	7.0 177	4.4 111	2.0 50	QS-74	-91°~30°	-91°~30°	360°	13.2 6	1.25 0.57
VEO PH-38S	8.3 210	7.1 180	4.4 112	2.3 58	QS-74	-91°~30°	-91°~30°	360°	22 10	1.42 0.64

VEO PH 3-WAY PAN HEAD

Four Direction Arca compatible QS-74



Rotating top handle lock



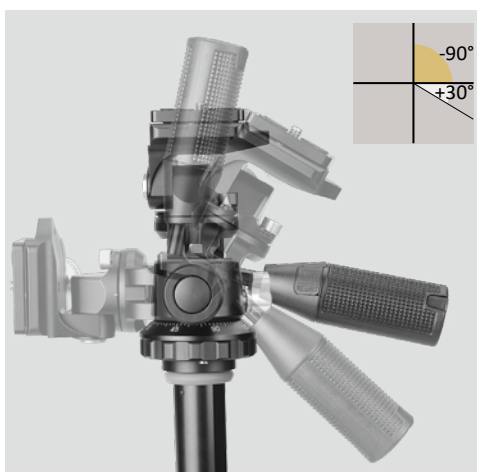
Telescopic Handles

Laser Printed 360° Panorama Markings

3-Axis:



Rotating Top Handle



Lateral Tilt



Vertical Tilt

Compatible with:



Binoculars



Cameras



Spotting Scopes